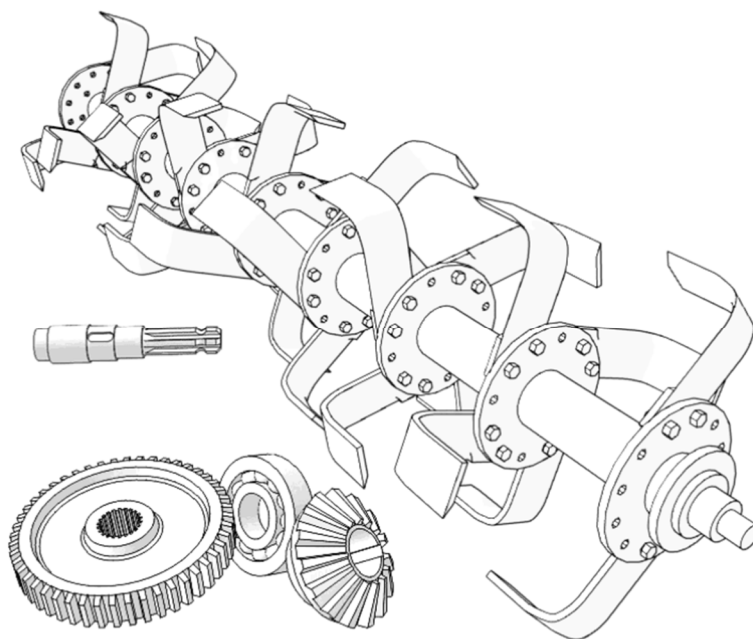




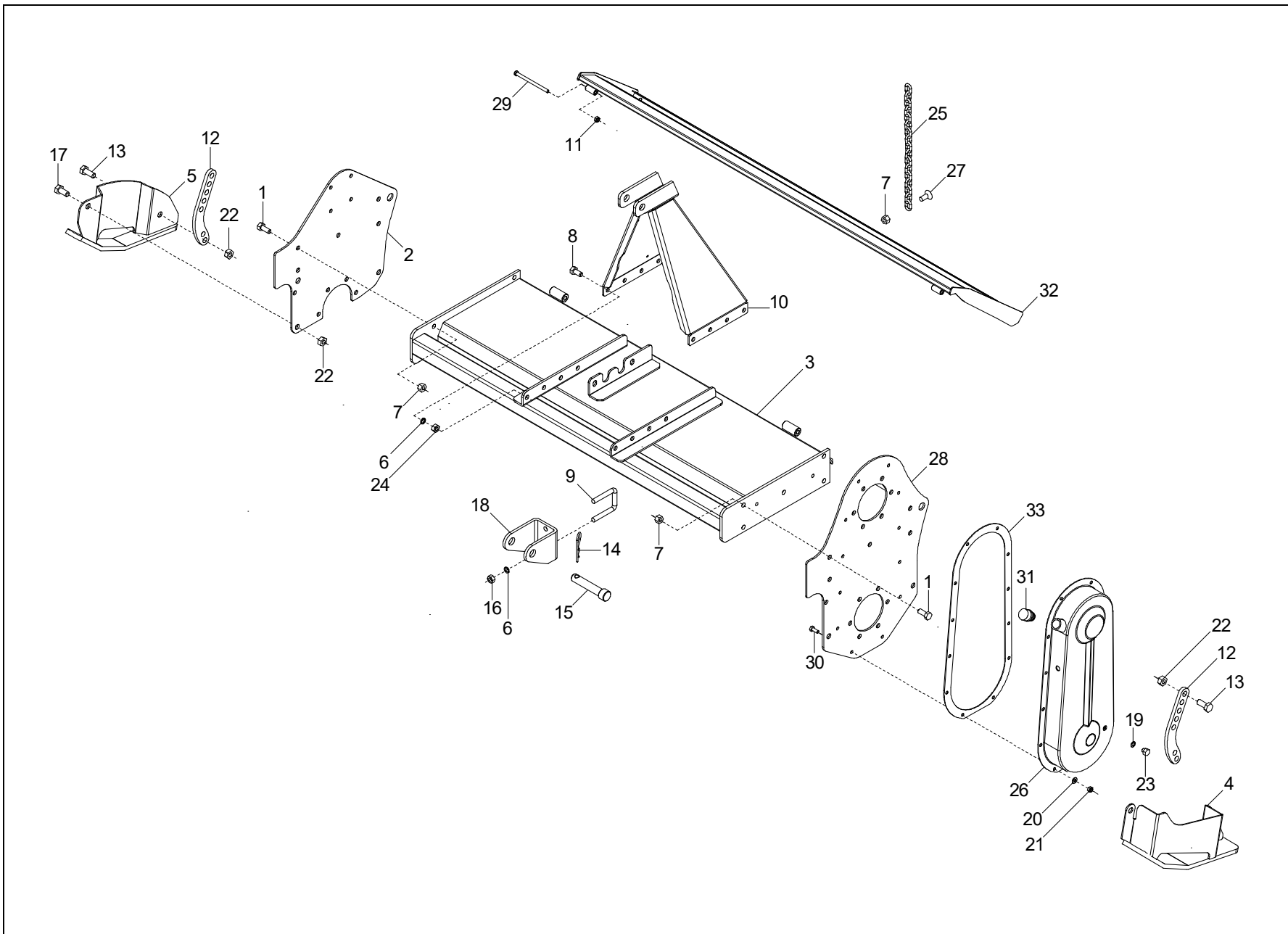
*SPARE PARTS CATALOGUE
CATALOGUE DE PIÈCES DÉTACHÉES
CATALOGO RICAMBI
ERSATZKATALOG
CATÁLOGO DE REPUESTOS*

RB-3



Rev. 2021

FRAME - CHASSIS - TELAIO - RAHMEN - BASTIDOR



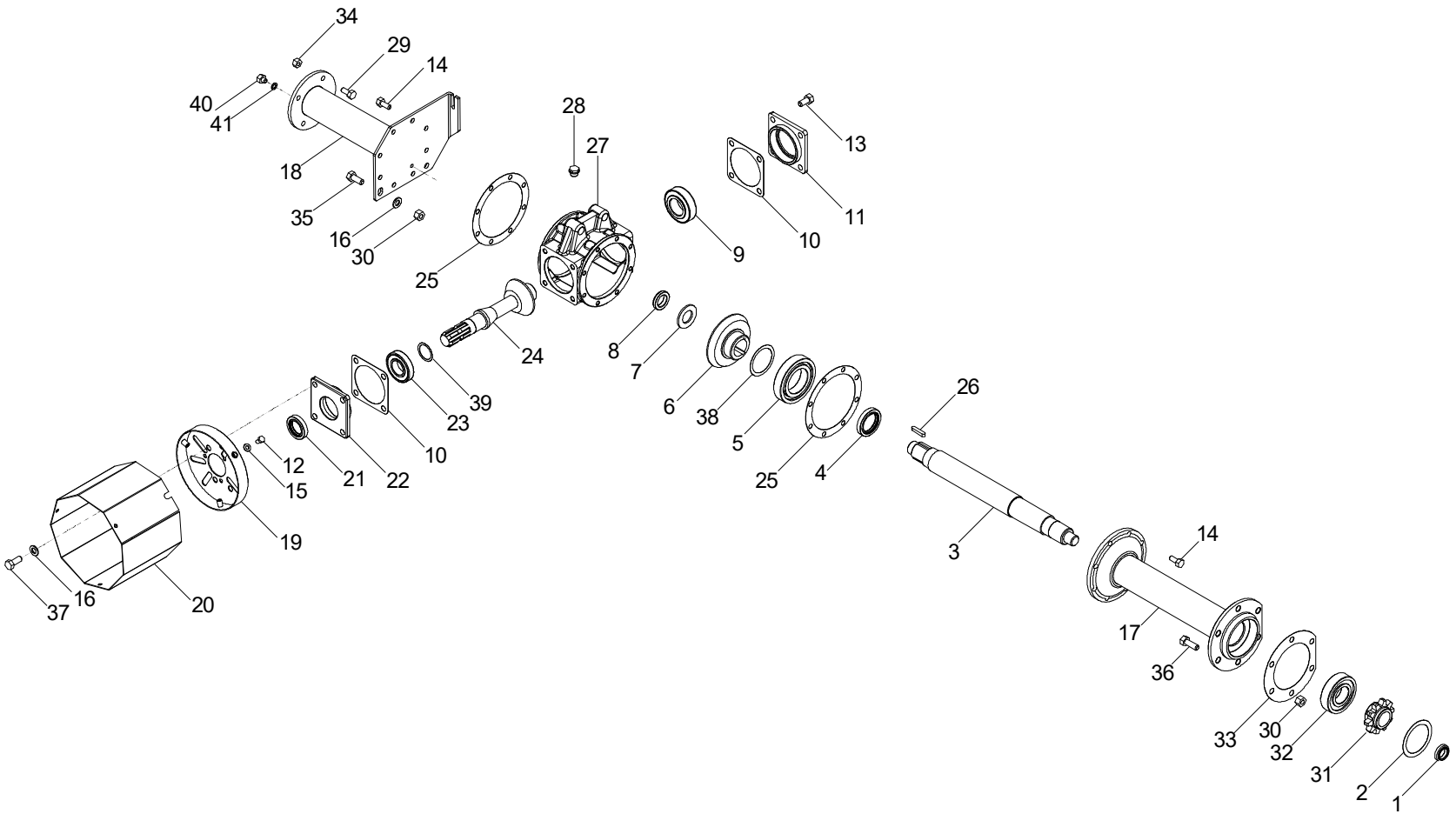
RB-3



| REF. | CODE | Q.TY | ENGLISH | FRANCAIS | ITALIANO | DEUTSCH | ESPAÑOL | NOTE |
|------|---------------|------|-----------|-----------|-------------|------------------|-----------|-----------|
| 1 | 900.102.019 | 10 | SCREW | VIS | VITE | SCHRAUBE | TORNILLO | |
| 2 | 900.142.006 | 1 | SIDE | FLANC | FIANCO | SEITE | FLANCO | |
| 3 | 900.142.031.0 | 1 | FRAME | CHASSIS | TELAIO | RAHMEN | BASTIDOR | 100 |
| 3 | 900.142.032.0 | 1 | FRAME | CHASSIS | TELAIO | RAHMEN | BASTIDOR | 110 |
| 3 | 900.142.033.0 | 1 | FRAME | CHASSIS | TELAIO | RAHMEN | BASTIDOR | 120 |
| 3 | 900.142.034.0 | 1 | FRAME | CHASSIS | TELAIO | RAHMEN | BASTIDOR | 130 |
| 3 | 900.142.035.0 | 1 | FRAME | CHASSIS | TELAIO | RAHMEN | BASTIDOR | 140 |
| 3 | 900.142.036.0 | 1 | FRAME | CHASSIS | TELAIO | RAHMEN | BASTIDOR | 150 |
| 3 | 900.142.037.0 | 1 | FRAME | CHASSIS | TELAIO | RAHMEN | BASTIDOR | 160 |
| 4 | 900.115.043 | 1 | SKID | PATIN | SLITTA | KUFE | CORREDERA | |
| 5 | 900.115.042 | 1 | SKID | PATIN | SLITTA | KUFE | CORREDERA | |
| 6 | 900.104.036 | 12 | WASHER | RONDELLE | RONDELLA | ZWISCHENSCHLEIBE | ARANDELA | |
| 7 | 900.103.050 | 11 | NUT | ECROU | DADO | MUTTER | TUERCA | |
| 8 | 900.102.069 | 8 | SCREW | VIS | VITE | SCHRAUBE | TORNILLO | |
| 9 | 900.116.030 | 2 | U-BOLT | MANILLE | CAVALLOTTO | U-BOLZEN | SOPORTE | |
| 10 | 900.116.076 | 1 | HITCH | ATTELAGE | ATTACCO | ANBAU | ENGANCHE | |
| 11 | 900.103.020 | 2 | NUT | ECROU | DADO | MUTTER | TUERCA | 100÷150 |
| 11 | 900.103.020 | 3 | NUT | ECROU | DADO | MUTTER | TUERCA | 160 |
| 12 | 900.115.012 | 2 | ROD | TIGE | ASTA | STANGE | VARILLA | |
| 13 | 900.102.027 | 4 | SCREW | VIS | VITE | SCHRAUBE | TORNILLO | |
| 14 | 900.108.006 | 2 | SPLIT PIN | GOUPILLE | COPIGLIA | ARRETIERUNG | PASADOR | |
| 15 | 900.116.044.1 | 2 | PIN | TOURILLON | PERNO | STIFT | PERNO | |
| 16 | 900.103.035 | 4 | NUT | ECROU | DADO | MUTTER | TUERCA | |
| 17 | 900.102.026 | 2 | SCREW | VIS | VITE | SCHRAUBE | TORNILLO | |
| 18 | 900.116.043.1 | 2 | HITCH | ATTELAGE | ATTACCO | ANBAU | ENGANCHE | |
| 19 | 900.104.009 | 1 | WASHER | RONDELLE | RONDELLA | ZWISCHENSCHLEIBE | ARANDELA | |
| 20 | 900.104.052 | 12 | WASHER | RONDELLE | RONDELLA | ZWISCHENSCHLEIBE | ARANDELA | |
| 21 | 900.103.020 | 12 | NUT | ECROU | DADO | MUTTER | TUERCA | |
| 22 | 900.103.005 | 6 | NUT | ECROU | DADO | MUTTER | TUERCA | |
| 23 | 900.102.009 | 1 | SCREW | VIS | VITE | SCHRAUBE | TORNILLO | |
| 24 | 900.103.035 | 8 | NUT | ECROU | DADO | MUTTER | TUERCA | |
| 25 | 900.114.016 | 1 | CHAIN | CHAINE | CATENA | KETTE | CADENA | |
| 26 | 900.113.002 | 1 | COVER | CARTER | CARTER | GEHAUESE | CARTER | |
| 27 | 900.102.217 | 1 | SCREW | VIS | VITE | SCHRAUBE | TORNILLO | |
| 28 | 900142111 | 1 | PLATE | PLAQUE | PIASTRA | PLATTE | PLACA | |
| 29 | 900.102.300 | 2 | SCREW | VIS | VITE | SCHRAUBE | TORNILLO | 100 + 150 |
| 29 | 900.102.300 | 3 | SCREW | VIS | VITE | SCHRAUBE | TORNILLO | 160 |
| 30 | 900.102.124 | 12 | SCREW | VIS | VITE | SCHRAUBE | TORNILLO | |
| 31 | 900.102.049 | 1 | PLUG | BOUCHON | TAPPO | DECKEL | TAPON | |
| 32 | 900.114.177 | 1 | SHIELD | CAPOT | COFANO | HAUBE | CARCASA | 100 |
| 32 | 900.114.178 | 1 | SHIELD | CAPOT | COFANO | HAUBE | CARCASA | 110 |
| 32 | 900.114.179 | 1 | SHIELD | CAPOT | COFANO | HAUBE | CARCASA | 120 |
| 32 | 900.114.180 | 1 | SHIELD | CAPOT | COFANO | HAUBE | CARCASA | 130 |
| 32 | 900.114.181 | 1 | SHIELD | CAPOT | COFANO | HAUBE | CARCASA | 140 |
| 32 | 900.114.182 | 1 | SHIELD | CAPOT | COFANO | HAUBE | CARCASA | 150 |
| 32 | 900.114.190 | 1 | SHIELD | CAPOT | COFANO | HAUBE | CARCASA | 160 |
| 33 | 900.139.034 | 1 | GASKET | JOINT | GUARNIZIONE | DICHTUNG | JUNTA | |

FRAME – CHASSIS – TELAIO – RAHMEN – BASTIDOR

GEARBOX - BOITE DE VITESSE - GRUPPO - GETRIEBE - REDUCTOR

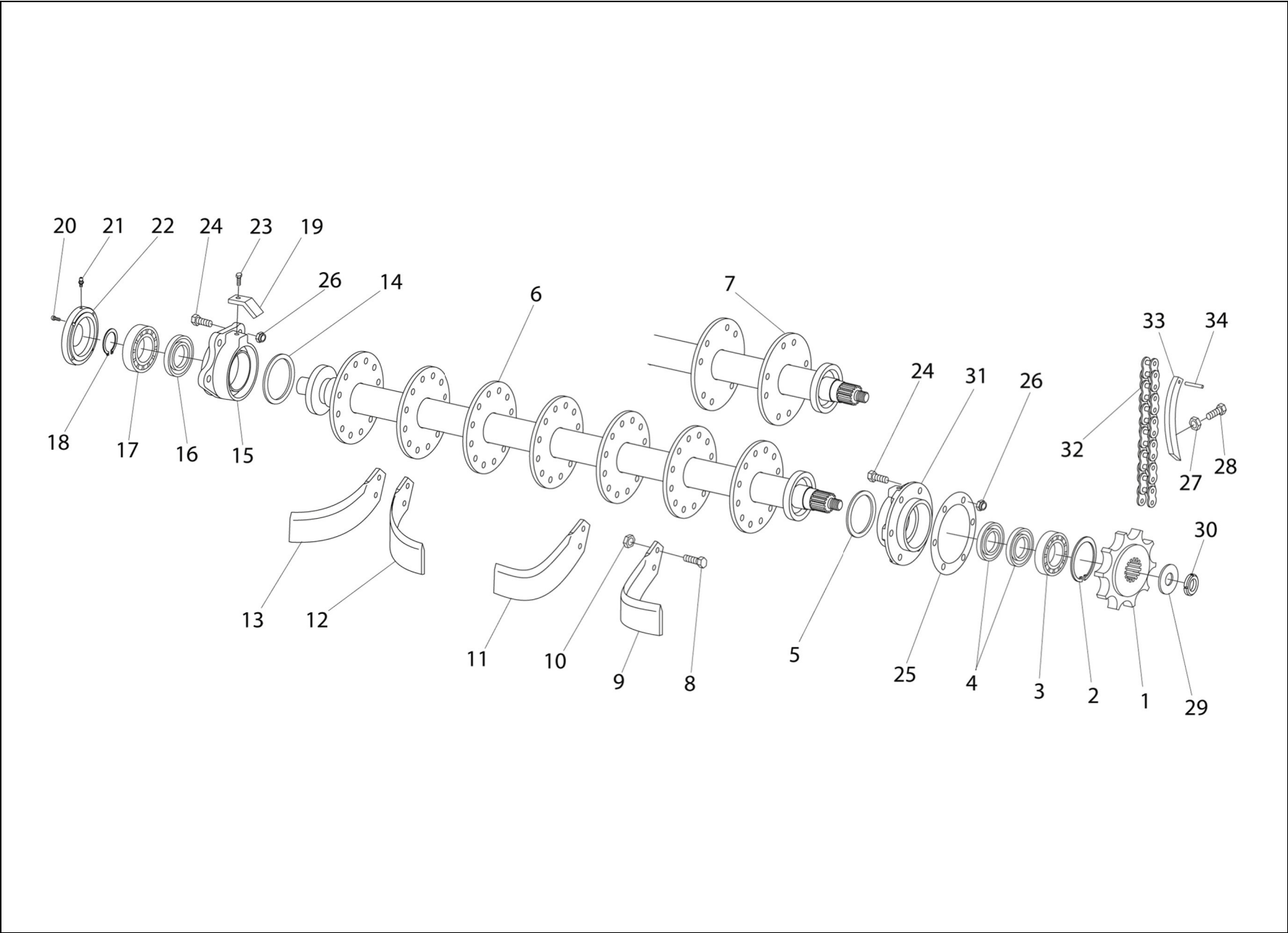


RB-3



| REF. | CODE | Q.TY | ENGLISH | FRANCAIS | ITALIANO | DEUTSCH | ESPAÑOL | NOTE |
|------|---------------|------|--------------|-------------|-----------------|------------------|--------------|----------|
| 1 | 900.103.030 | 1 | RING NUT | EMBOUT | GHIERA | NUTMUTTER | CASQUILLO | |
| 2 | 900.107.087 | 2 | SHIM | EPAISSEUR | SPESSORE REG. | STAERKE | ESPESOR REG. | |
| 3 | 900.118.051 | 1 | SHAFT | ARBRE | ALBERO | WELLE | EJE | 100, 110 |
| 3 | 900.118.046 | 1 | SHAFT | ARBRE | ALBERO | WELLE | EJE | 120, 130 |
| 3 | 900.118.047 | 1 | SHAFT | ARBRE | ALBERO | WELLE | EJE | 140, 150 |
| 3 | 900.118.048 | 1 | SHAFT | ARBRE | ALBERO | WELLE | EJE | 160 |
| 4 | 900.101.005 | 1 | OIL SEAL | PARE-HUILE | PARAOILIO | SIMMERRING | PARA-ACEITE | |
| 5 | 900.100.010 | 1 | BEARING | ROULEMENT | CUSCINETTO | KUGELLAGER | COJINETE | |
| 6 | 900.125.005 | 1 | CROWN | COURONNE | CORONA | TELLERRAD | CORONA | |
| 7 | 900.104.012 | 1 | WASHER | RONDELLE | RONDELLA | ZWISCHENSCHLEIBE | ARANDELA | |
| 8 | 900.103.014 | 1 | RING NUT | EMBOUT | GHIERA | NUTMUTTER | CASQUILLO | |
| 9 | 900.100.025 | 1 | BEARING | ROULEMENT | CUSCINETTO | KUGELLAGER | COJINETE | |
| 10 | 900.139.001 | 2 | GASKET | JOINT | GUARNIZIONE | DICHTUNG | JUNTA | |
| 11 | 900.125.003 | 1 | CLAMPING | CHAPEAU | CAPPELOTTO | KAPPE | CAPUCHON | |
| 12 | 900.102.256 | 3 | SCREW | VIS | VITE | SCHRAUBE | TORNILLO | |
| 13 | 900.102.018 | 4 | SCREW | VIS | VITE | SCHRAUBE | TORNILLO | |
| 14 | 900.102.010 | 8 | SCREW | VIS | VITE | SCHRAUBE | TORNILLO | |
| 15 | 900.104.052 | 3 | WASHER | RONDELLE | RONDELLA | ZWISCHENSCHLEIBE | ARANDELA | |
| 16 | 900.104.046 | 6 | WASHER | RONDELLE | RONDELLA | ZWISCHENSCHLEIBE | ARANDELA | |
| 17 | 900.119.048 | 1 | TUBE | TUBE | CANNOTTO | ROHR | TUBO | 100, 110 |
| 17 | 900.119.035 | 1 | TUBE | TUBE | CANNOTTO | ROHR | TUBO | 120, 130 |
| 17 | 900.119.036 | 1 | TUBE | TUBE | CANNOTTO | ROHR | TUBO | 140, 150 |
| 17 | 900.119.037 | 1 | TUBE | TUBE | CANNOTTO | ROHR | TUBO | 160 |
| 18 | 900.123.109 | 1 | DOUBLE TUBE | DOUBLE TUBE | DOPPIO CANNOTTO | DOPPELROHR | DOBLE TUBO | 100 |
| 18 | 900.123.115 | 1 | DOUBLE TUBE | DOUBLE TUBE | DOPPIO CANNOTTO | DOPPELROHR | DOBLE TUBO | 110 |
| 18 | 900.123.110 | 1 | DOUBLE TUBE | DOUBLE TUBE | DOPPIO CANNOTTO | DOPPELROHR | DOBLE TUBO | 120 |
| 18 | 900.123.111 | 1 | DOUBLE TUBE | DOUBLE TUBE | DOPPIO CANNOTTO | DOPPELROHR | DOBLE TUBO | 130 |
| 18 | 900.123.112 | 1 | DOUBLE TUBE | DOUBLE TUBE | DOPPIO CANNOTTO | DOPPELROHR | DOBLE TUBO | 140 |
| 18 | 900.123.113 | 1 | DOUBLE TUBE | DOUBLE TUBE | DOPPIO CANNOTTO | DOPPELROHR | DOBLE TUBO | 150 |
| 18 | 900.123.114 | 1 | DOUBLE TUBE | DOUBLE TUBE | DOPPIO CANNOTTO | DOPPELROHR | DOBLE TUBO | 160 |
| 19 | 900.117.070 | 1 | PROT. HOLDER | DISQUE | FONDELLO | ZWSCHUTZHALTER | DISCO | |
| 20 | 900.117.072.2 | 1 | GUARD | PROTECTION | PROTEZIONE | SCHUTZ | PROTECCION | |
| 21 | 900.101.006 | 1 | OIL SEAL | PARE-HUILE | PARAOILIO | SIMMERRING | PARA-ACEITE | |
| 22 | 900.125.002 | 1 | CLAMPING | CHAPEAU | CAPPELOTTO | KAPPE | CAPUCHON | |
| 23 | 900.100.020 | 1 | BEARING | ROULEMENT | CUSCINETTO | KUGELLAGER | COJINETE | |
| 24 | 900.125.004 | 1 | PINION | PIGNON | PIGNONE | RITZEL | PINON | |
| 25 | 900.139.002 | 2 | GASKET | JOINT | GUARNIZIONE | DICHTUNG | JUNTA | |
| 26 | 900.105.001 | 2 | KEY | CLAVETTE | CHIAVETTA | KEIL | CHAVETA | |
| 27 | 900.125.001 | 1 | CASE | BOITE | SCATOLA | KISTE | CAJA | |
| 28 | 900.102.051 | 1 | PLUG | BOUCHON | TAPPO | DECKEL | TAPON | |
| 29 | 900.102.011 | 4 | SCREW | VIS | VITE | SCHRAUBE | TORNILLO | |
| 30 | 900.103.050 | 8 | NUT | ECROU | DADO | MUTTER | TUERCA | |
| 31 | 900.112.058 | 1 | PINION | PIGNON | PIGNONE | RITZEL | PINON | |
| 32 | 900.100.016 | 1 | BEARING | ROULEMENT | CUSCINETTO | KUGELLAGER | COJINETE | |
| 33 | 900.139.004 | 1 | GASKET | JOINT | GUARNIZIONE | DICHTUNG | JUNTA | |
| 34 | 900.103.002 | 4 | NUT | ECROU | DADO | MUTTER | TUERCA | |
| 35 | 900.102.019 | 2 | SCREW | VIS | VITE | SCHRAUBE | TORNILLO | |
| 36 | 900.102.020 | 6 | SCREW | VIS | VITE | SCHRAUBE | TORNILLO | |
| 37 | 900.102.098 | 4 | SCREW | VIS | VITE | SCHRAUBE | TORNILLO | |
| 38 | 900.107.103 | 2 | SHIM | EPAISSEUR | SPESSORE REG. | STAERKE | ESPESOR REG. | |
| 39 | 900.107.036 | 1 | SHIM | EPAISSEUR | SPESSORE REG. | STAERKE | ESPESOR REG. | |
| 40 | 900.102.009 | 1 | SCREW | VIS | VITE | SCHRAUBE | TORNILLO | |
| 41 | 900.104.009 | 1 | WASHER | RONDELLE | RONDELLA | ZWISCHENSCHLEIBE | ARANDELA | |

ROTOR - ROTOR - ROTORE - ROTOR - ROTOR



RB-3



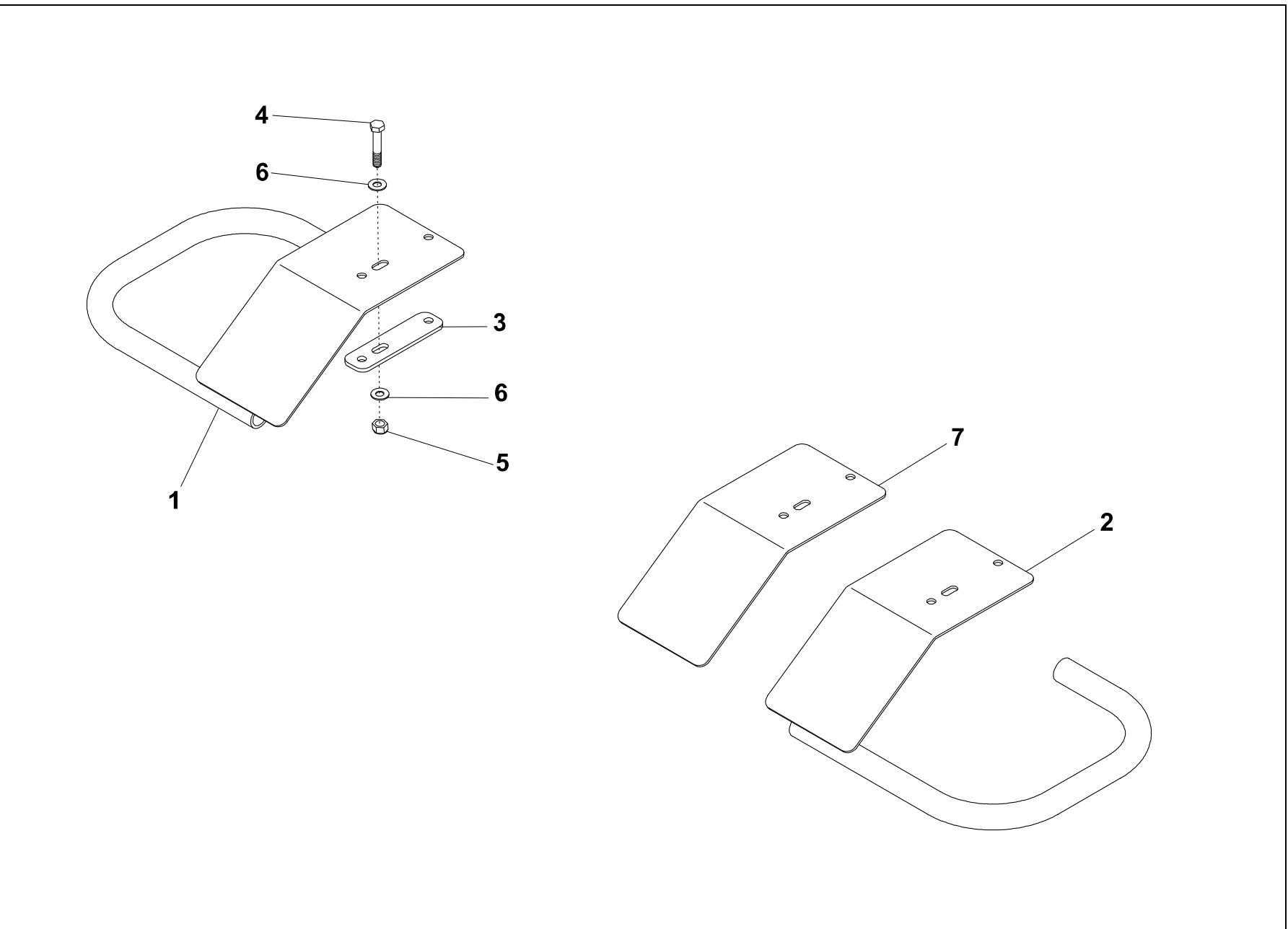
RB-3



| REF. | CODE | Q.TY | ENGLISH | FRANCAIS | ITALIANO | DEUTSCH | ESPAÑOL | NOTE |
|------|-------------|------|---------------|------------|--------------|-----------------|---------------|------|
| 1 | 900.112.059 | 1 | PINION | PIGNON | PIGNONE | RITZEL | PINON | |
| 2 | 900.106.005 | 1 | CIRCLIP | SERFLEX | SEEGER | SEEGER | SEEGER | |
| 3 | 900.100.009 | 1 | BEARING | ROULEMENT | CUSCINETTO | KUGELLAGER | COJINETE | |
| 4 | 900.101.001 | 2 | OIL SEAL | PARE-HUILE | PARAOLIO | SIMMERRING | PARA-ACEITE | |
| 5 | 900.107.022 | 1 | RING | ANNEAU | ANELLO | RING | ANILLO | |
| 6 | 900.110.168 | 1 | ROTOR | ROTOR | ROTORE | ROTOR | ROTOR | 100 |
| 6 | 900.110.169 | 1 | ROTOR | ROTOR | ROTORE | ROTOR | ROTOR | 110 |
| 6 | 900.110.170 | 1 | ROTOR | ROTOR | ROTORE | ROTOR | ROTOR | 120 |
| 6 | 900.110.171 | 1 | ROTOR | ROTOR | ROTORE | ROTOR | ROTOR | 130 |
| 6 | 900.110.172 | 1 | ROTOR | ROTOR | ROTORE | ROTOR | ROTOR | 140 |
| 6 | 900.110.173 | 1 | ROTOR | ROTOR | ROTORE | ROTOR | ROTOR | 150 |
| 6 | 900.110.174 | 1 | ROTOR | ROTOR | ROTORE | ROTOR | ROTOR | 160 |
| 7 | 900.110.113 | 1 | ROTOR | ROTOR | ROTORE | ROTOR | ROTOR | 100 |
| 7 | 900.110.114 | 1 | ROTOR | ROTOR | ROTORE | ROTOR | ROTOR | 110 |
| 7 | 900.110.115 | 1 | ROTOR | ROTOR | ROTORE | ROTOR | ROTOR | 120 |
| 7 | 900.110.116 | 1 | ROTOR | ROTOR | ROTORE | ROTOR | ROTOR | 130 |
| 7 | 900.110.117 | 1 | ROTOR | ROTOR | ROTORE | ROTOR | ROTOR | 140 |
| 7 | 900.110.118 | 1 | ROTOR | ROTOR | ROTORE | ROTOR | ROTOR | 150 |
| 7 | 900.110.119 | 1 | ROTOR | ROTOR | ROTORE | ROTOR | ROTOR | 160 |
| 8 | 900.102.044 | -- | SCREW | VIS | VITE | SCHRAUBE | TORNILLO | |
| 9 | 900.111.019 | -- | BLADE | LAME | ZAPPETTA | MESSER | AZADA | |
| 10 | 900.103.028 | -- | NUT | ECROU | DADO | MUTTER | TUERCA | |
| 11 | 900.111.020 | -- | BLADE | LAME | ZAPPETTA | MESSER | AZADA | |
| 12 | 900.111.013 | -- | BLADE | LAME | ZAPPETTA | MESSER | AZADA | |
| 13 | 900.111.014 | -- | BLADE | LAME | ZAPPETTA | MESSER | AZADA | |
| 14 | 900.107.022 | 1 | RING | ANNEAU | ANELLO | RING | ANILLO | |
| 15 | 900.110.013 | 1 | SUPPORT | SUPPORT | SUPPORTO | STUETZE | SOPORTE | |
| 16 | 900.101.001 | 1 | OIL SEAL | PARE-HUILE | PARAOLIO | SIMMERRING | PARA-ACEITE | |
| 17 | 900.100.016 | 1 | BEARING | ROULEMENT | CUSCINETTO | KUGELLAGER | COJINETE | |
| 18 | 900.106.003 | 1 | CIRCLIP | SERFLEX | SEEGER | SEEGER | SEEGER | |
| 19 | 900.110.043 | 2 | SCRAPER | RACLEUR | RASCHIARULLO | WALZENSCHABER | RASCARODILLO | |
| 20 | 900.102.203 | 4 | SCREW | VIS | VITE | SCHRAUBE | TORNILLO | |
| 21 | 900.105.007 | 1 | GREASE NIPPLE | GRAISSEUR | INGRASSATORE | SCHMIERNIPPEL | ENGRASADOR | |
| 22 | 900.110.023 | 1 | CLAMPING | CHAPEAU | CAPPELOTTO | KAPPE | CAPUCHON | |
| 23 | 900.102.010 | 2 | SCREW | VIS | VITE | SCHRAUBE | TORNILLO | |
| 24 | 900.102.020 | 10 | SCREW | VIS | VITE | SCHRAUBE | TORNILLO | |
| 25 | 900.139.004 | 1 | GASKET | JOINT | GUARNIZIONE | DICHTUNG | JUNTA | |
| 26 | 900.103.050 | 10 | NUT | ECROU | DADO | MUTTER | TUERCA | |
| 27 | 900.103.036 | 1 | NUT | ECROU | DADO | MUTTER | TUERCA | |
| 28 | 900.102.084 | 1 | SCREW | VIS | VITE | SCHRAUBE | TORNILLO | |
| 29 | 900.104.013 | 1 | WASHER | RONDELLE | RONDELLA | ZWISCHENSCHIEBE | ARANDELA | |
| 30 | 900.103.030 | 1 | RING NUT | EMBOUT | GHIERA | NUTMUTTER | CASQUILLO | |
| 31 | 900.110.015 | 1 | SUPPORT | SUPPORT | SUPPORTO | STUETZE | SOPORTE | |
| 32 | 900.112.033 | 1 | CHAIN | CHAINE | CATENA | KETTE | CADENA | |
| 33 | 900.113.022 | 1 | STRETCHER | TENDEUR | TENDICATENA | KETTENSANNER | TENSOR CADENA | |
| 34 | 900.113.014 | 1 | PIN | TOURILLON | PERNO | STIFT | PERNO | |

ROTOR – ROTOR – ROTORE – ROTOR - ROTOR

RB-3



MISC – PLUS – ALTRO – OTROS - VERSCH

RB-3



| REF | CODE | QTY | ENGLISH | FRANÇAIS | ITALIANO | DEUTSCH | ESPAÑOL | NOTE |
|-----|-------------|-----|---------|------------|------------|-----------------|------------|----------|
| 1 | 900.117.124 | 1 | GUARD | PROTECTION | PROTEZIONE | SCHUTZ | PROTECCION | |
| 2 | 900.117.123 | 1 | GUARD | PROTECTION | PROTEZIONE | SCHUTZ | PROTECCION | |
| 3 | 900.117.122 | - | PLATE | PLAQUE | PIASTRA | PLATTE | PLACA | |
| 4 | 900.102.309 | - | SCREW | VIS | VITE | SCHRAUBE | TORNILLO | |
| 5 | 900.103.020 | - | NUT | ECROU | DADO | MUTTER | TUERCA | |
| 6 | 900.104.052 | - | WASHER | RONDELLE | RONDELLA | ZWISCHENSCHIEBE | ARANDELA | |
| 7 | 900.117.121 | 2 | GUARD | PROTECTION | PROTEZIONE | SCHUTZ | PROTECCION | 150, 160 |

MISC – PLUS – ALTRO – OTROS - VERSCH